



# YOUR EWVP SOLUTIONS GUIDE

**BOOM** SHERRIN

# At BOOM Sherrin we're much more than just an elevated work platform supplier.

For more than 40 years now we've been offering tailored EWP solutions from a comprehensive equipment fleet Australia-wide; backed by on-call sales and service assistance; reliable solutions and one of the safest working practices in the industry.

## GRADEABILITY CONVERSION

### Gradeability

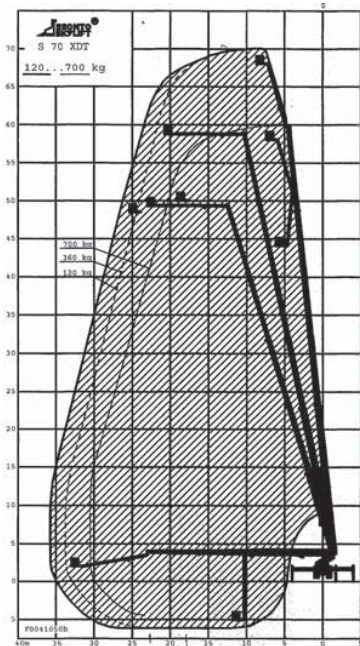
5%	10%	15%	20%	25%	30%	35%	40%	45%	50%	55%	60%
2.86	5.71	8.53	11.31	14.04	16.70	19.29	21.80	24.23	26.57	28.81	30.96

### Degrees

### PLEASE NOTE

Every effort has been made to accurately specify our equipment in the following pages. Due to availability of equipment actual makes & models supplied may vary from what is indicated. BOOM Sherrin specifies "Working Height" at a standard additional height of 6ft (1.8m) above the manufacturer's specified platform height.

## Range Chart



# 70m BRONTO TRAVEL TOWER

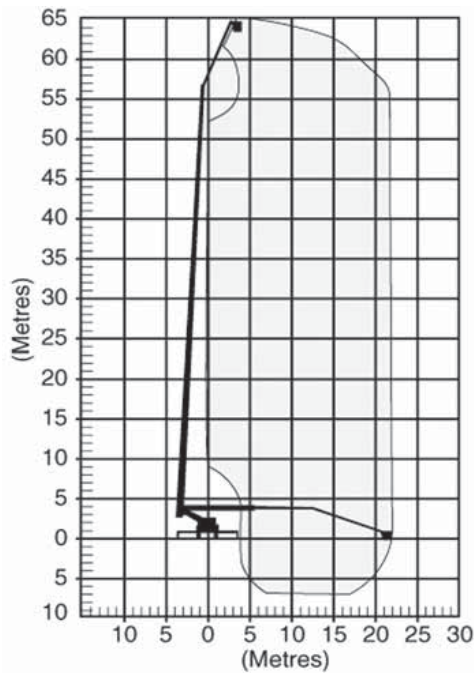
For more information on this equipment or if you require a free onsite inspection, contact our team

# 136 132

## Specifications

Max working height	70 m
Working radius at max height	12 m
Safe working load	700 kg
Max working radius	35 m
Max working radius of fly	11 m
Stabiliser spread (outside to outside)	8 m
Stabiliser length (centre to centre)	7.30 m
Max working depth below ground level	5 m
Travelling height	4.20 m
Travelling width	2.50 m
Travelling length	12.30 m
Overall weight (approx)	37000 kg
Basket rotation	270 °
240 volt outlet to basket	

## Range Chart



# 65m TRAVEL TOWER

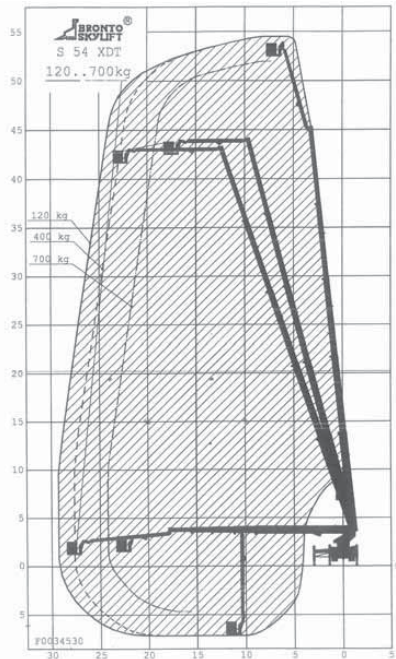
For more information on this equipment or if you require a free onsite inspection, contact our team

# 136 132

## Specifications

Max working height	65 m
Working radius at max height	7.50 m
Safe working load	250 kg
Max working radius	22 m
Max working radius of fly	8 m
Stabiliser spread (outside to outside)	6.51 m
Stabiliser length (centre to centre)	5.89 m
Max working depth below ground level	7 m
Travelling height	3.96 m
Travelling width	2.78 m
Travelling length	13.47 m
Overall weight (approx)	41000 kg
Basket rotation	360 °
240 volt power to basket	

## Range Chart



# 55m BRONTO TRAVEL TOWER

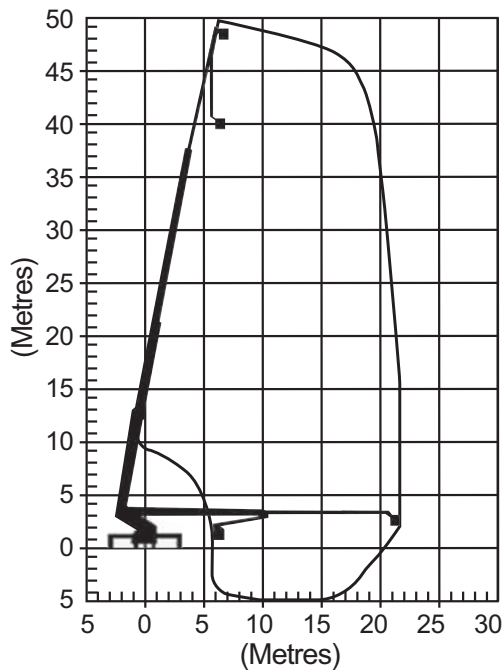
For more information on this equipment or if you require a free onsite inspection, contact our team

# 136 132

## Specifications

Max working height	54 m
Working radius at max height	7.50 m
Safe working load max	700 kg
Max working radius	25 m
Max working radius of fly	7 m
Stabiliser spread (at 180°)	4.25 m
Stabiliser length (at 360°)	6 m
Max working depth below ground level	7 m
Travelling height	4.10 m
Travelling width	2.50 m
Travelling length	12 m
Overall weight (approx)	32000 kg
Basket rotation	270 °
240 volt power to basket	

## Range Chart



# 50m TRAVEL TOWER

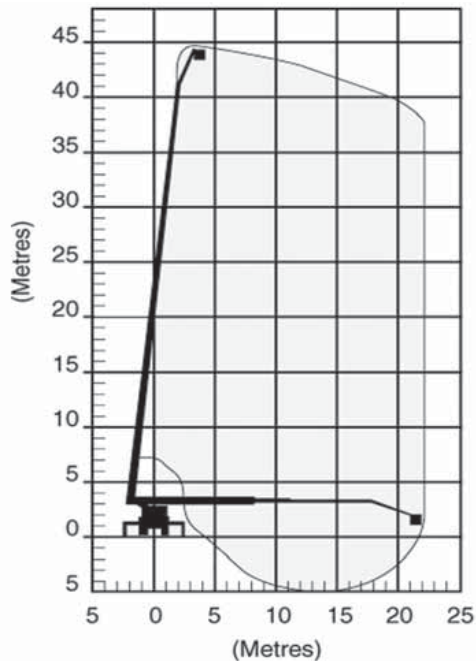
For more information on this equipment or if you require a free onsite inspection, contact our team

# 136 132

## Specifications

Max working height	50 m
Working radius at max height	7.50 m
Safe working load	250 kg
Max working radius	22 m
Max working radius of fly	6 m
Stabiliser spread	6.50 m
Max working depth below ground level	7 m
Travelling height	3.75 m
Travelling width	2.50 m
Travelling length	11.60 m
Overall weight (approx)	31490 kg
Basket rotation	360 °
240 volt power to basket	

## Range Chart



# 45m TRAVEL TOWER

For more information on this equipment or if you require a free onsite inspection, contact our team

# 136 132

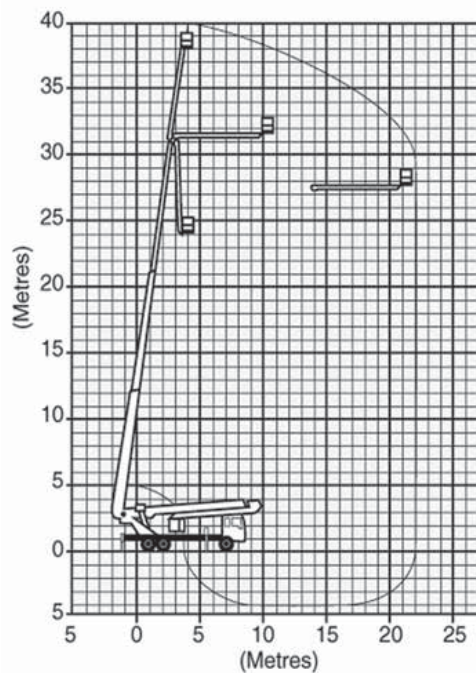
## Specifications

Max working height	45 m
Working radius at max height	6 m
Safe working load	250 kg
Max working radius	22 m*
Max working radius of fly	5 m
Stabiliser spread	5.20 m
Max working depth below ground level	5 m
Travelling height	3.90 m
Travelling width	2.50 m
Travelling length	10.25 m
Overall weight (approx)	26300 kg
Basket rotation	360 °
240 volt power to basket	

### PLEASE NOTE

\*Varies according to model. Please check current brochure.

## Range Chart



# 40m TRAVEL TOWER

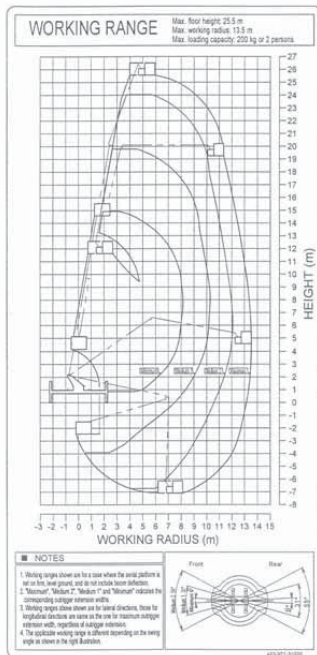
For more information on this equipment or if you require a free onsite inspection, contact our team

# 136 132

## Specifications

Max working height	40 m
Working radius at max height	5 m
Safe working load	250 kg
Max working radius	22 m
Max working radius of fly	8 m
Stabiliser spread	5.40 m
Max working depth below ground level	4 m
Travelling height	4 m
Travelling width	2.50 m
Travelling length	11 m
Overall weight (approx)	22500 kg
Basket rotation	120 °
240 volt outlet in basket	

## Range Chart



# 28m TADANO TRAVEL TOWER

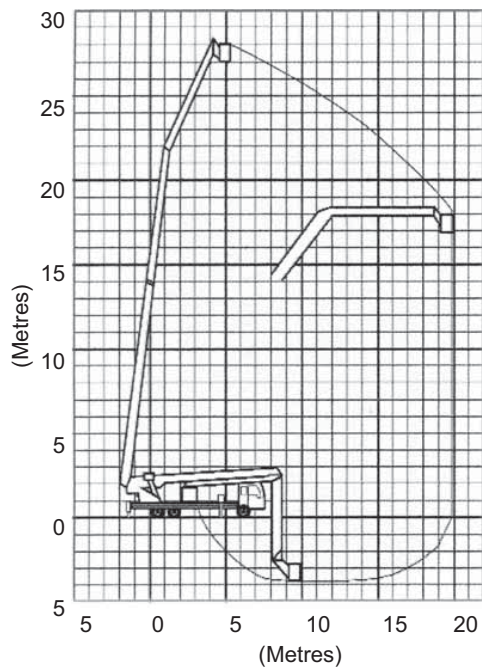
For more information on this equipment or if you require a free onsite inspection, contact our team

# 136 132

## Specifications

Max working height	28 m
Working radius at max height	5 m
Safe working load	250 kg
Max working radius	13 m
Stabiliser spread	4.70 m
Max working depth below ground level	7 m
Travelling height	3.80 m
Travelling width	2.40 m
Travelling length	8.10 m
Overall weight (approx)	9500 kg
240 volt outlet in basket	

## Range Chart



# 28m GLOVE & BARRIER TRAVEL TOWER

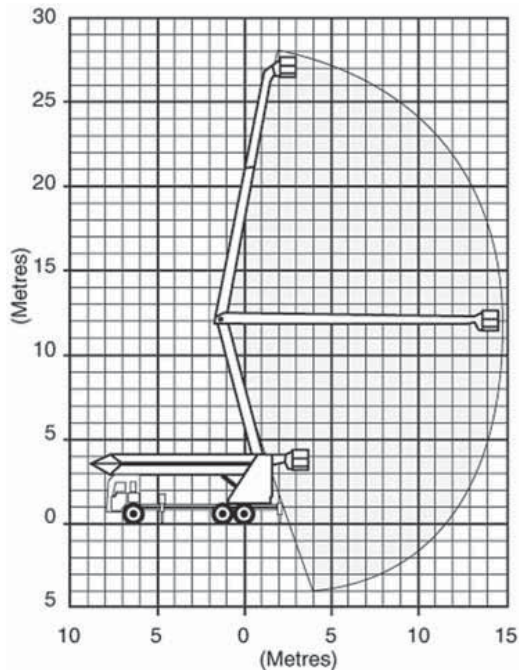
For more information on this equipment or if you require a free onsite inspection, contact our team

# 136 132

## Specifications

Max working height	28.50 m
Working radius at max height	5 m
Safe working load	350 kg
Max working radius	15 m
Stabiliser spread	5 m
Max working depth below ground level	3 m
Travelling height	4 m
Travelling width	2.40 m
Travelling length	11 m
Overall weight (approx)	15000 kg
Insulated units available	

## Range Chart



# 28m TRAVEL TOWER

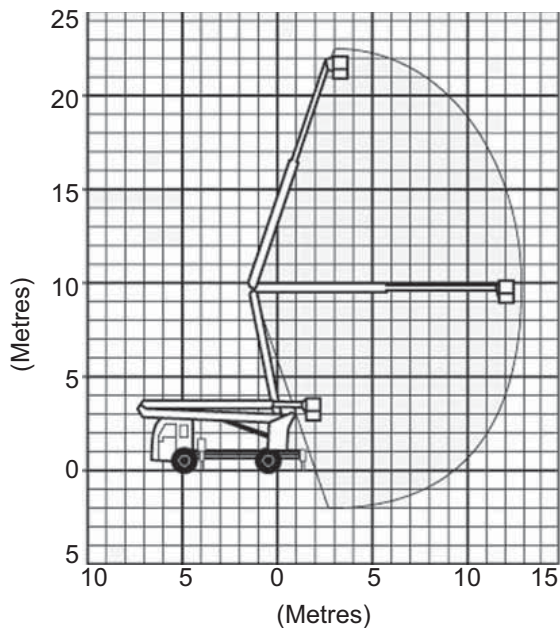
For more information on this equipment or if you require a free onsite inspection, contact our team

# 136 132

## Specifications

Max working height	28 m
Working radius at max height	5 m
Safe working load	250 kg
Max working radius	15 m
Stabiliser spread	4.80 m
Max working depth below ground level	3 m
Travelling height	4 m
Travelling width	2.50 m
Travelling length	10.50 m
Overall weight (approx)	18000 kg
240 volt outlet in basket	
Insulated units available	

## Range Chart



# 23m TRAVEL TOWER

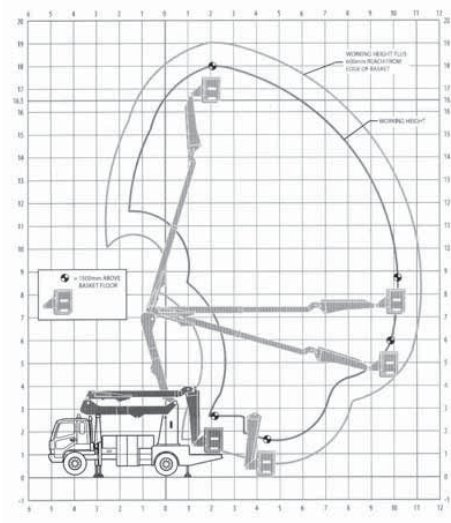
For more information on this equipment or if you require a free onsite inspection, contact our team

# 136 132

## Specifications

Max working height	23 m
Working radius at max height	4.50 m
Safe working load	250 kg
Max working radius	13 m
Stabiliser spread	4.30 m
Travelling height	3.70 m
Travelling width	2.50 m
Travelling length	9.50 m
Overall weight (approx)	13000 kg
Insulated units available	
Also available in Bogie Drive	

## Range Chart



# 18m GLOVE & BARRIER TRAVEL TOWER

For more information on this equipment or if you require a free onsite inspection, contact our team

# 136 132

## Specifications

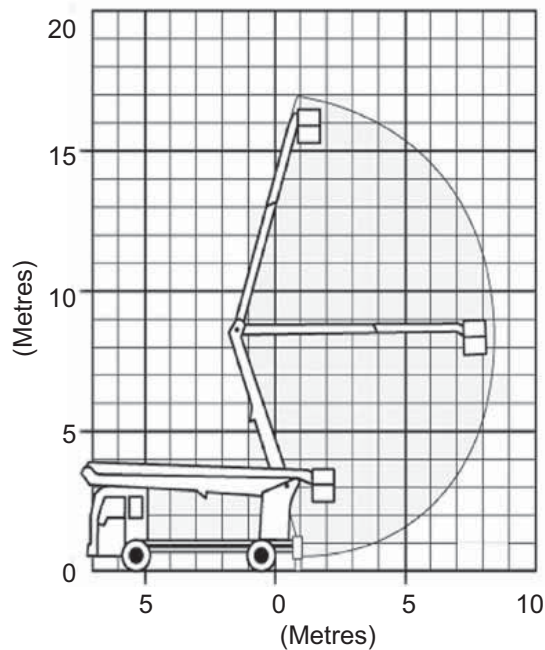
### 4 x 2

Max working height	18 m
Working radius at max height	2.50 m
Safe working load	250 kg
Max working radius	11.10 m
Max working radius of fly	3 m
Stabiliser spread (outside to outside)	4 m
Stabiliser length (centre to centre)	4.20 m
Max working depth below ground level	0.25 m
Travelling height	4 m
Travelling width	2.30 m
Travelling length	7.90 m
Overall weight (approx)	10340 kg

### 4 x 4

Available in 18m	
Electrically Tested	
Travelling height	4.12 m
Travelling width	2.43 m
Travelling length	8.43 m
Stabiliser spread (outside to outside)	4.10 m
Overall weight (approx)	12380 kg

## Range Chart



# 17m KNUCKLE BOOM TRAVEL TOWER

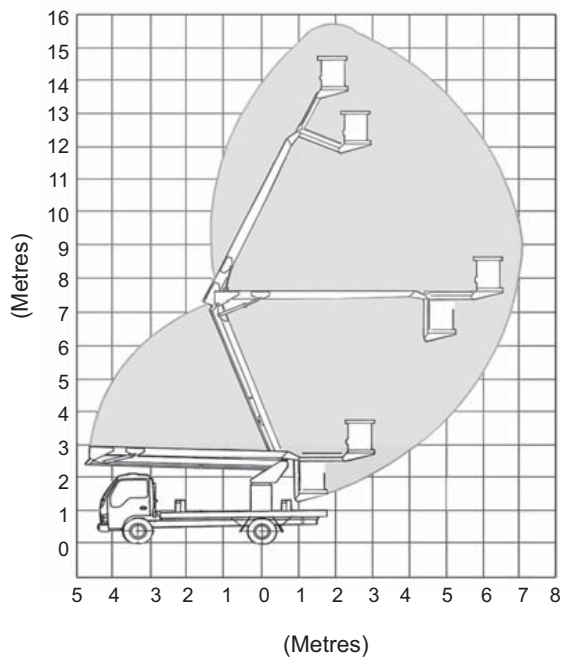
For more information on this equipment or if you require a free onsite inspection, contact our team

# 136 132

## Specifications

Max working height	17 m
Working radius at max height	2.40 m
Safe working load	250 kg
Max working radius	8.50 m
Stabiliser spread	3.80 m
Travelling height	3.50 m
Travelling width	2.45 m
Travelling length	9 m
Overall weight (approx)	8900 kg
Insulated units available	

## Range Chart



# 16m TRAVEL TOWER

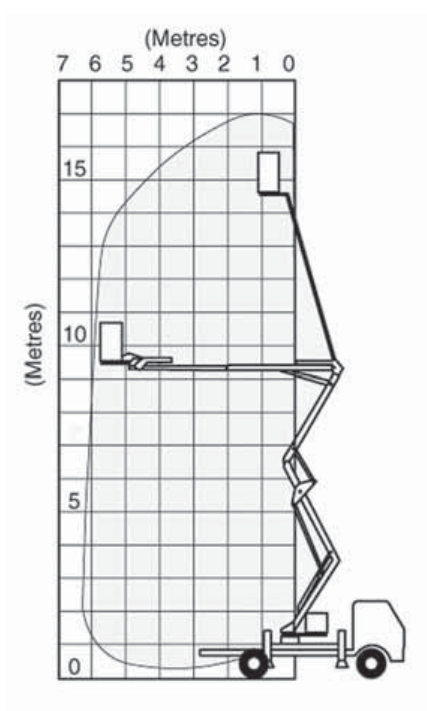
For more information on this equipment or if you require a free onsite inspection, contact our team

# 136 132

## Specifications

Max working height	15.80 m
Working radius at max height	2.50
Platform height	13.80 m
Platform size	1.07 x 0.61 x 1 m
Safe working load	200 kg
Max working radius	7 m
Stabiliser spread	1.95 m
Turntable rotation	360 ° continuous
Travelling height	2.80 m
Overall length	6.75 m
Overall width	1.95 m
Overall weight (approx)	4490 kg
Insulated units 5 kV	
Also available in 4WD	
U Drive with Car License	

## Range Chart



# 15m TRAVEL TOWER

For more information on this equipment or if you require a free onsite inspection, contact our team

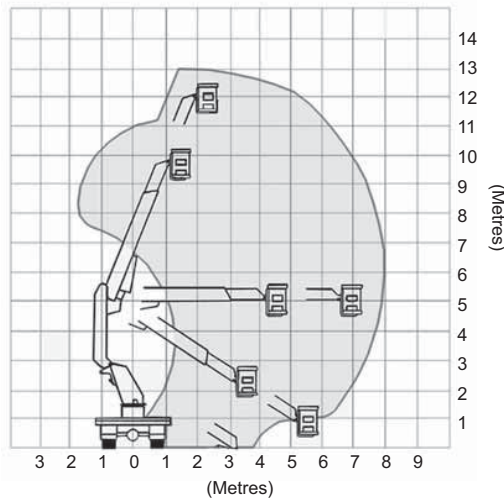
# 136 132

## Specifications

Max working height	16 m
Working radius at max height	2 m
Safe working load	180 kg
Max working radius	6.20 m
Stabiliser spread	2.36 m
Travelling height	3.20 m
Travelling width	2.36 m
Travelling length	6 m
Overall weight (approx)	5960 kg
240 volt outlet in basket	

Also available in Road Rail (narrow gauge only)

## Range Chart



# 13m KNUCKLE TELESCOPIC TRAVEL TOWER

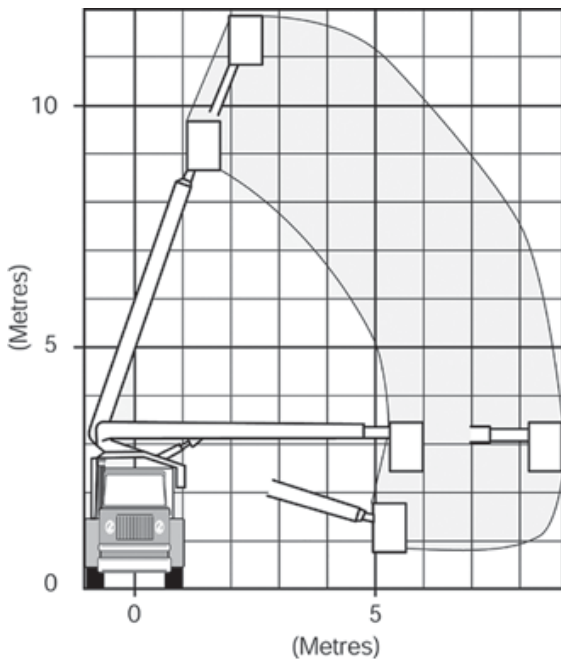
For more information on this equipment or if you require a free onsite inspection, contact our team

# 136 132

## Specifications

Max working height	13 m
Working radius at max height	3 m
Safe working load	250 kg
Max working radius	7.80 m
Stabiliser spread	2.20 m
Travelling height	3.40 m
Travelling width	2.20 m
Travelling length	6.40 m
Overall weight (approx)	9000 kg
Fitted with hydraulic tool lines	
Spring locks fitted	
Stabiliser use is optional	

## Range Chart



# 12m STELCO TELESCOPIC BOOM

For more information on this equipment or if you require a free onsite inspection, contact our team

# 136 132

## Specifications

Max working height	12 m
Working radius at max height	3.80 m
Safe working load	136 kg
Max working radius	9 m
Travelling height	3.30 m
Travelling width	2.20 m
Travelling length	6.40 m
Overall weight (approx)	7500 kg

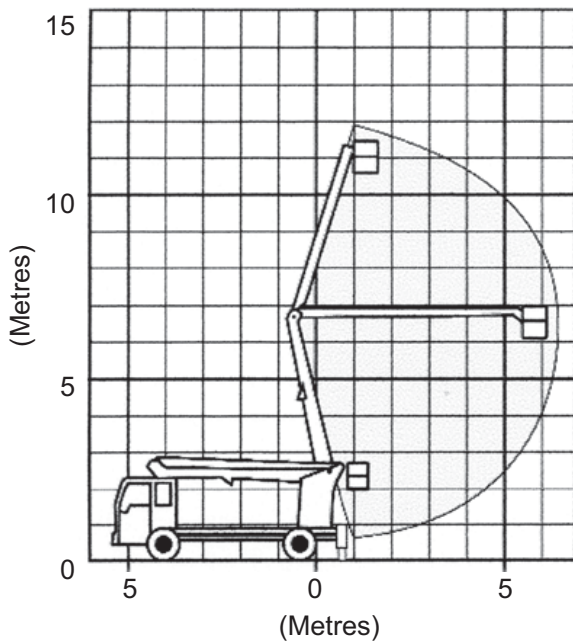
Fitted with hydraulic tool lines

### **NO STABILISERS**

Also available in road rail, STD & wide gauge only

Insulated units available

## Range Chart



# 12m KNUCKLE BOOM TRAVEL TOWER

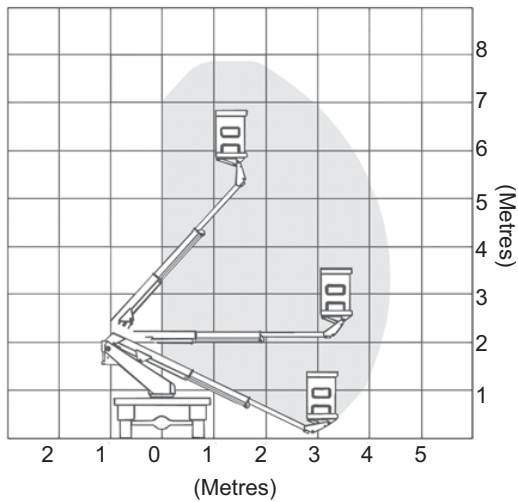
For more information on this equipment or if you require a free onsite inspection, contact our team

# 136 132

## Specifications

Max working height	12 m
Working radius at max height	2.60 m
Safe working load	250 kg
Max working radius	6.50 m
Stabiliser spread	3.80 m
Travelling height	3 m
Travelling width	2.42 m
Travelling length	7.80 m
Overall weight (approx)	7500 kg
Insulated units available	

## Range Chart



## 8m LIFT TRAVEL TOWER

For more information on this equipment or if you require a free onsite inspection, contact our team

# 136 132

## Specifications

Max working height	8 m*
Max working radius at max height	2 m
Safe working load	200 kg
Max working radius	4.40 m
Slew	360 ° Continuous
Travelling height	2.20 m*
Travelling width	1.90 m*
Travelling length	5.10 m
Overall weight (approx)	2100 kg

\*2 stabilisers at rear



136 132 **BOOM SHERRIN**

[www.boomsherrin.com.au](http://www.boomsherrin.com.au)