



YOUR EWVP SOLUTIONS GUIDE

BOOM SHERRIN

At BOOM Sherrin we're much more than just an elevated work platform supplier.

For more than 40 years now we've been offering tailored EWP solutions from a comprehensive equipment fleet Australia-wide; backed by on-call sales and service assistance; reliable solutions and one of the safest working practices in the industry.

GRADEABILITY CONVERSION

Gradeability

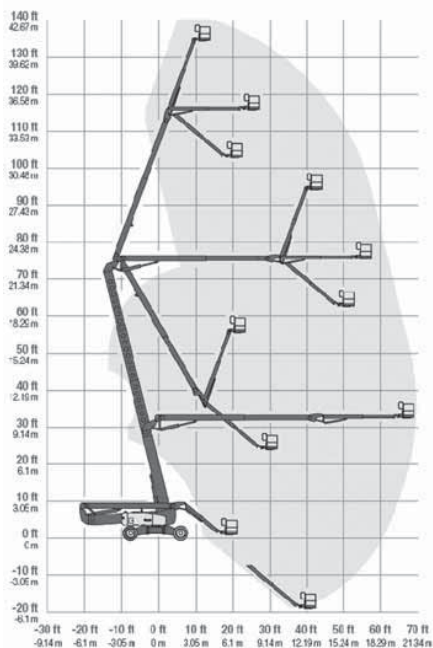
5%	10%	15%	20%	25%	30%	35%	40%	45%	50%	55%	60%
2.86	5.71	8.53	11.31	14.04	16.70	19.29	21.80	24.23	26.57	28.81	30.96

Degrees

PLEASE NOTE

Every effort has been made to accurately specify our equipment in the following pages. Due to availability of equipment actual makes & models supplied may vary from what is indicated. BOOM Sherrin specifies "Working Height" at a standard additional height of 6ft (1.8m) above the manufacturer's specified platform height.

Range Chart



135' GENIE KNUCKLE BOOM LIFT

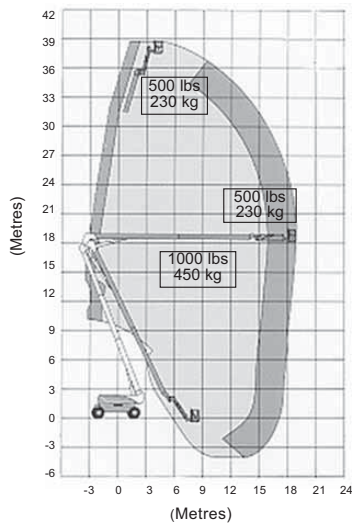
For more information on this equipment or if you require a free onsite inspection, contact our team

136 132

Specifications

Working height	43 m
Platform height	41.15 m
Platform dimensions 6'	1.83 x 0.76 m
Platform dimensions 8'	2.44 x 0.91 m
Lift capacity	272 kg
Height - stowed	3.07 m
Length stowed	12.93 m
Width (axles extended)	3.94 m
Width (axles retracted)	2.46 m
Wheel base (axles extended)	4.11 m
Wheel base (axles retracted)	4.72 m
Horizontal reach (riser extended)	18.13 m
Horizontal reach (riser retracted)	21.26 m
Turntable rotation	continuous 360 °
Fuel tank capacity	151.40 L
Weight - base unit	20255 kg

Range Chart



125' JLG KNUCKLE BOOM LIFT

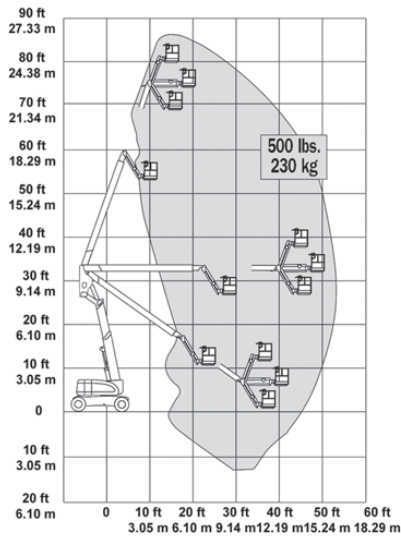
For more information on this equipment or if you require a free onsite inspection, contact our team

136 132

Specifications

Working height	39.90 m
Platform height	38.10 m
Platform up-and-over height	18.44 m
Platform size	0.91 x 2.44 m
Safe working load (unrestricted)	230 kg
Safe working load (restricted)	450 kg
Horizontal reach	19.25 m
Turntable rotation	360 ° Continuous
Turntable tailswing	0.91 m
Drive speeds (4WD)	5.20 - 8.30 km/h
Gradeability	45 %
Turning radius inside (axles retracted)	4.39 m
Turning radius inside (axles extended)	2.44 m
Turning radius outside (axles retracted)	6.86 m
Turning radius outside (axles extended)	5.89 m
Stowed height	3.05 m
Stowed length	11.45 m
Width (axles retracted)	2.49 m
Width (axles extended)	3.81 m
Overall weight (approx)	19958 kg

Range Chart



80' JLG KNUCKLE BOOM LIFT

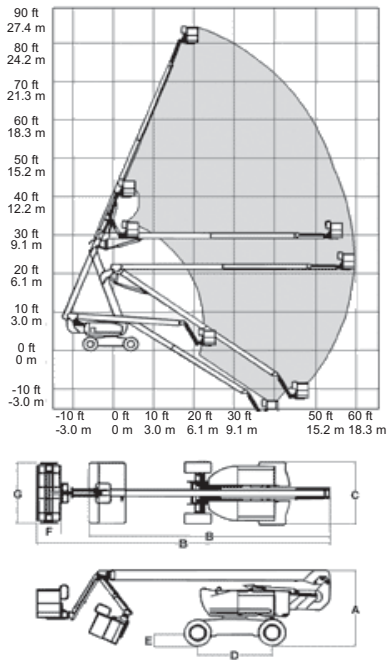
For more information on this equipment or if you require a free onsite inspection, contact our team

136 132

Specifications

Working height	26.20 m
Platform height	24.38 m
Platform up-and-over height	9.78 m
Platform size	0.91 x 2.44 m
Safe working load	230 kg
Horizontal reach	15.80 m
Turntable rotation	360 ° Continuous
Turntable tailswing	0.76 m
Drive speeds (4WD)	4.80 km/h
Gradeability (4WD)	45 %
Turning radius (inside)	3.66 m
Turning radius (outside)	6.86 m
Stowed height	3.00 m
Stowed length	11.13 m
Width	2.44 m
Overall weight (approx)	15513 kg
Basket rotation	160 °

Range Chart



80' GENIE KNUCKLE BOOM LIFT

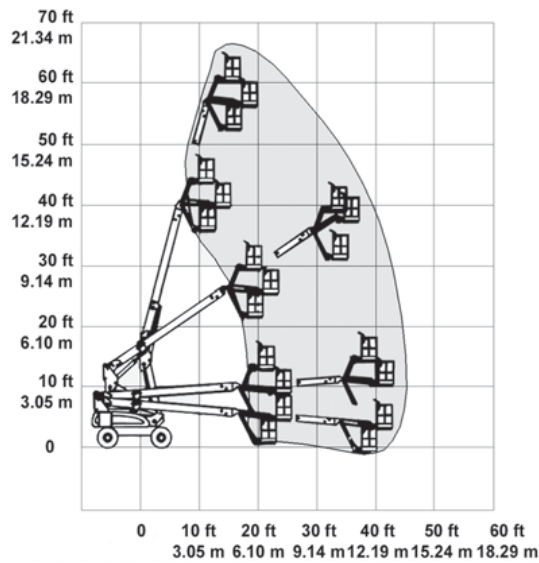
For more information on this equipment or if you require a free onsite inspection, contact our team

136 132

Specifications

Working height	26.20 m
Platform height max	24.40 m
Height - stowed	3 m
Length - stowed	11.27 m
Width	2.49 m
Wheelbase	2.74 m
Ground clearance	0.30 m
Platform length	0.91 m
Platform width	2.44 m
Horizontal reach max	18.30 m
Lift capacity	227 kg
Turning radius (4WD inside)	2.10 m
Turning radius (4WD outside)	4.60 m
Turntable rotation	360 ° continuous
Tailswing - elevated position	0.92 m
Platform rotation	2.44 m
Gradeability 4WD	50 %
Overall weight (approx)	16850 kg
Basket rotation	

Range Chart



60' JLG KNUCKLE BOOM ELEC

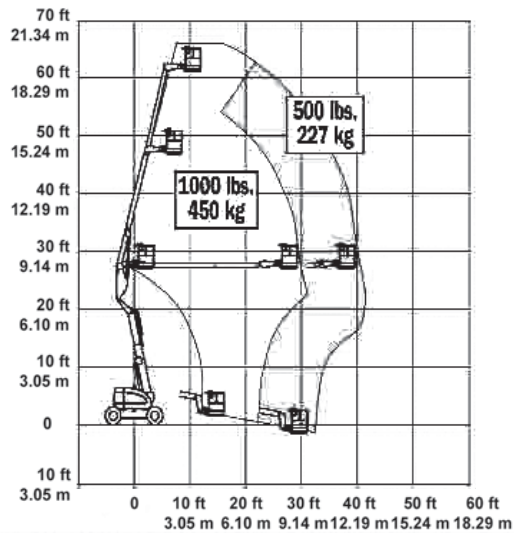
For more information on this equipment or if you require a free onsite inspection, contact our team

136 132

Specifications

Working height	20.10 m
Max platform height	18.30 m
Horizontal reach	13.19 m
Platform size	0.76 x 1.88 m
Overall width	2.44 m
Tailswing	1.22 m
Stowed height	2.57 m
Stowed length (jib)	9.37 m
Wheelbase	2.74 m
Ground clearance (axle)	0.30 m
Safe working load	230 kg
Max travel speed	4.80 km/h
Gradeability	30 %
Turning radius (inside)	1.22 m
Turning radius (outside)	4.65 m
Overall weight (approx)	7491 kg

Range Chart



60' JLG KNUCKLE BOOM DIESEL

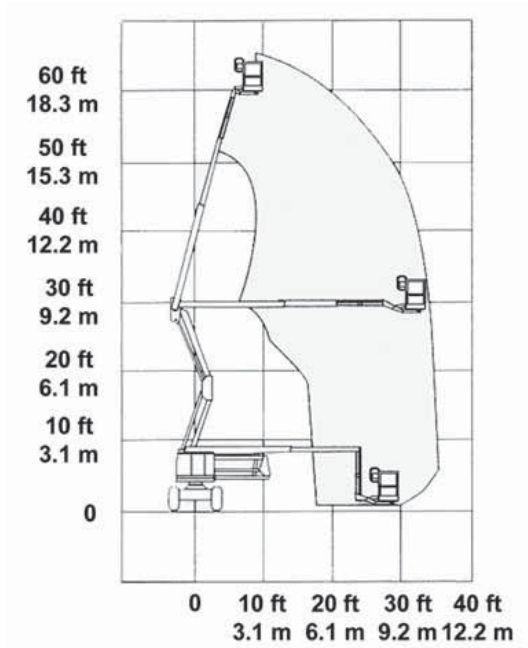
For more information on this equipment or if you require a free onsite inspection, contact our team

136 132

Specifications

Working height	20.10 m
Max platform height	18.30 m
Horizontal reach	13.19 m
Platform size	0.76 x 1.88 m
Overall width	2.44 m
Tailswing	1.22 m
Stowed height	2.57 m
Stowed length (jib)	9.37 m
Wheelbase	2.74 m
Ground clearance (axle)	0.30 m
Safe working load	230 kg
Max travel speed	4.80 km/h
Gradeability	30 %
Turning radius (inside)	1.22 m
Turning radius (outside)	4.65 m
Overall weight (approx)	6759 kg

Range Chart



60' GENIE KNUCKLE BOOM ELEC

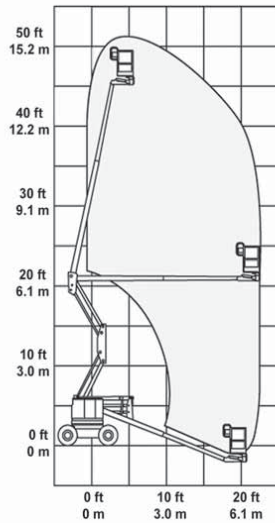
For more information on this equipment or if you require a free onsite inspection, contact our team

136 132

Specifications

Max platform height	20.10 m
Working height	18.30 m
Horizontal reach	10.30 m
Platform size	0.76 x 1.83 m
Overall width	2.44 m
Tailswing	1.22 m
Stowed height	2.57 m
Stowed length (jib)	9.37 m
Wheelbase	2.74 m
Ground clearance (axle)	0.30 m
Safe working load	227 kg
Max travel speed	4.80 km/h
Gradeability	30 %
Turning radius (inside)	1.22 m
Turning radius (outside)	4.65 m
Overall weight (approx)	6759 kg

Range Chart



45' KNUCKLE BOOM ELEC

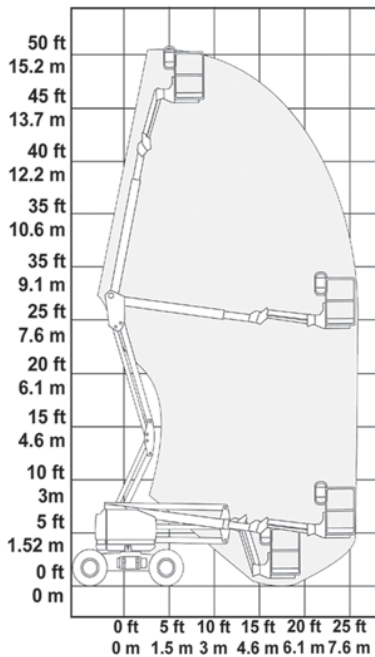
For more information on this equipment or if you require a free onsite inspection, contact our team

136 132

Specifications

Working height	15.50 m
Platform height	13.70 m
Platform length	0.76 m
Platform width	1.83 m
Safe working load	227 kg
Horizontal reach	7 m
Wheelbase	1.90 m
Turntable rotation	359 °
Turntable tailswing	zero
Drive speeds (stowed)	5.60 km/h
Drive speeds (raised)	1 km/h
Gradeability	30 %
Turning radius (inside)	2.10 m
Turning radius (outside)	4.40 m
Stowed height	1.98 m
Stowed length	5.40 m
Width	1.70 m
Overall weight (approx)	6173 kg
Basket rotation	180 °

Range Chart



45' KNUCKLE BOOM WITH JIB ELEC

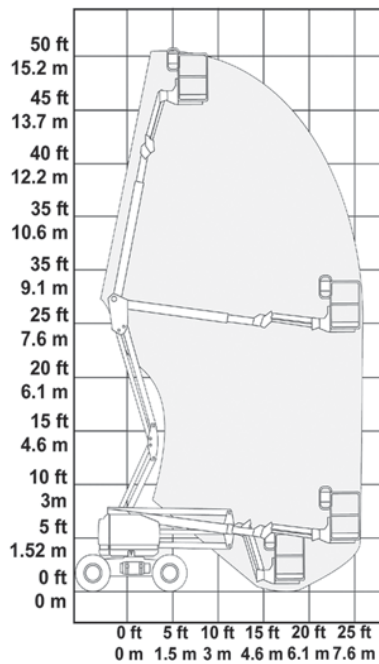
For more information on this equipment or if you require a free onsite inspection, contact our team

136 132

Specifications

Working height	15.60 m
Platform height	13.80 m
Platform length	0.77 m
Platform width	1.80 m
Safe working load	227 kg
Wheelbase	2.00 m
Turntable rotation	359 °
Turntable tailswing	zero
Drive speeds (stowed)	4.83 km/h
Drive speeds (raised)	0.96 km/h
Gradeability (stowed)	40 %
Turning radius (inside)	1.50 m
Stowed height	2.00 m
Stowed length	6.80 m
Width	1.80 m
Overall weight (approx)	7439 kg
Basket rotation	160 °

Range Chart



45' KNUCKLE BOOM WITH JIB DIESEL

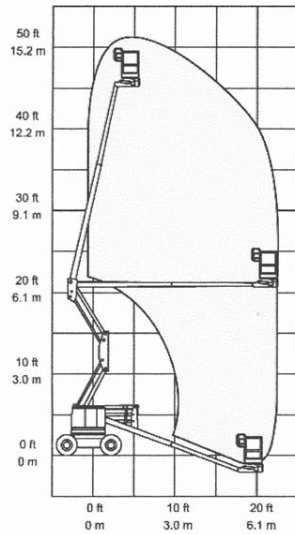
For more information on this equipment or if you require a free onsite inspection, contact our team

136 132

Specifications

Working height	15.70 m
Platform height	13.90 m
Platform length	0.77 m
Platform width	1.83 m
Safe working load	227 kg
Wheelbase	2.03 m
Turntable rotation	359 °
Turntable tailswing	zero
Drive speeds (stowed)	7.72 km/h
Drive speeds (raised)	0.97 km/h
Gradeability (4x4)	45 %
Turning radius (inside)	1.37 m
Stowed height	2.08 m
Stowed length	6.78 m
Width	2.23 m
Overall weight (approx)	6668 kg
Platform rotation	160 °

Range Chart



45' KNUCKLE BOOM DIESEL (4x4)

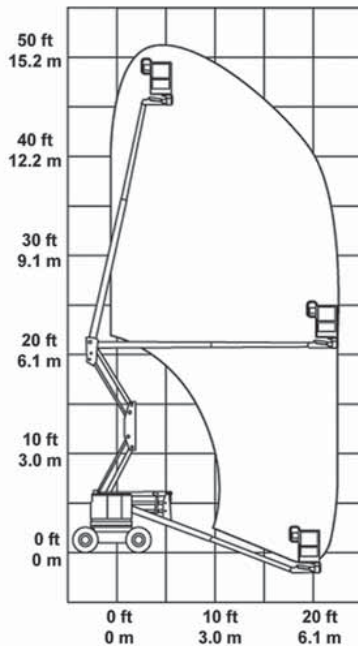
For more information on this equipment or if you require a free onsite inspection, contact our team

136 132

Specifications

Working height	15.50 m
Platform height	13.70 m
Platform length	1.83 m
Platform width	0.76 m
Safe working load	227 kg
Horizontal reach	7.00 m
Wheelbase	1.90 m
Turntable rotation	359 °
Turntable tailswing	zero
Drive speeds (stowed)	7.72 km/h
Drive speeds (raised)	0.97 km/h
Gradeability (stowed)	40 %
Turning radius (inside)	2 m
Turning radius (outside)	4.50 m
Stowed height	2.20 m
Stowed length	5.50 m
Width	1.96 m
Overall weight (approx)	6536 kg
Basket rotation	160 °

Range Chart



45' JLG KNUCKLE BOOM ELEC

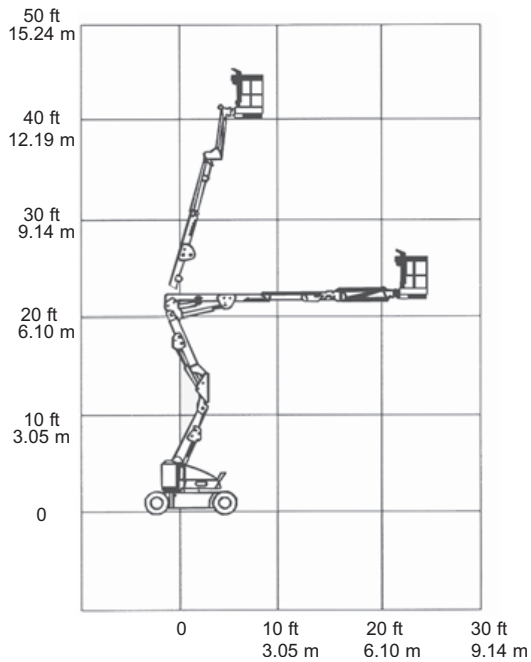
For more information on this equipment or if you require a free onsite inspection, contact our team

136 132

Specifications

Working height	15.50 m
Platform height	13.70 m
Horizontal reach	7.24 m
Swing	360°
Platform capacity	230 kg
Platform size	0.76 x 1.22 m
Overall width	1.75 m
Tailswing	zero
Stowed height	2.01 m
Stowed length	6.50 m
Wheelbase	2.01 m
Ground clearance	0.22 m
Drive speed	5.2 km/h
Gradeability	30 %
Turning radius (inside)	0.61 m
Turning radius (outside)	3.15 m
Overall weight (approx)	6532 kg

Range Chart



40' NARROW JLG KNUCKLE BOOM

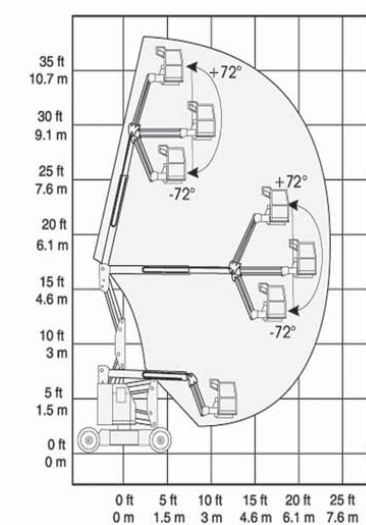
For more information on this equipment or if you require a free onsite inspection, contact our team

136 132

Specifications

Working height	14.00 m
Platform height	12.19 m
Horizontal reach	6.83 m
Swing	360 °
Platform capacity	230 kg
Platform size	0.76 x 1.22 m
Overall width	1.50 m
Tailswing	0.10 m
Stowed height	1.97 m
Stowed length	6.70 m
Wheelbase	2 m
Ground clearance	0.13 m
Drivespeed	4.8 km/h
Gradeability	30 %
Turning radius (inside)	0.86 m
Turning radius (outside)	3.15 m
Overall weight (approx)	6759 kg

Range Chart



34' KNUCKLE BOOM DIESEL WITH FLY BOOM

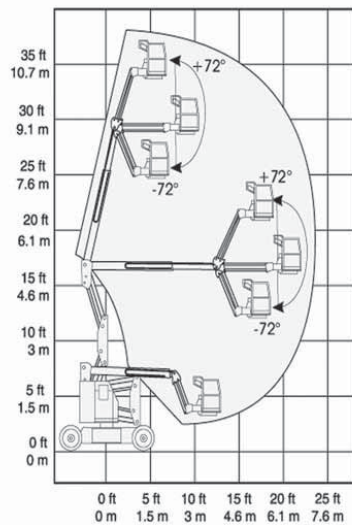
For more information on this equipment or if you require a free onsite inspection, contact our team

136 132

Specifications

Working height	12.40 m
Platform height	10.60 m
Platform length	0.76 m
Platform width	1.42 m
Safe working load	227 kg
Horizontal reach	6.80 m
Wheelbase	1.90 m
Turntable rotation	355 °
Turntable tailswing	zero
Drive speeds (stowed)	6.40 km/h
Drive speeds (raised)	1.00 km/h
Gradeability (stowed)	45 %
Turning radius (inside)	1.70 m
Turning radius (outside)	4.00 m
Stowed height	2.00 m
Stowed length	5.70 m
Overall width	1.80 m
Overall weight (approx)	4854 kg
Platform rotation	160 °

Range Chart



34' NARROW KNUCKLE BOOM ELEC WITH FLY BOOM

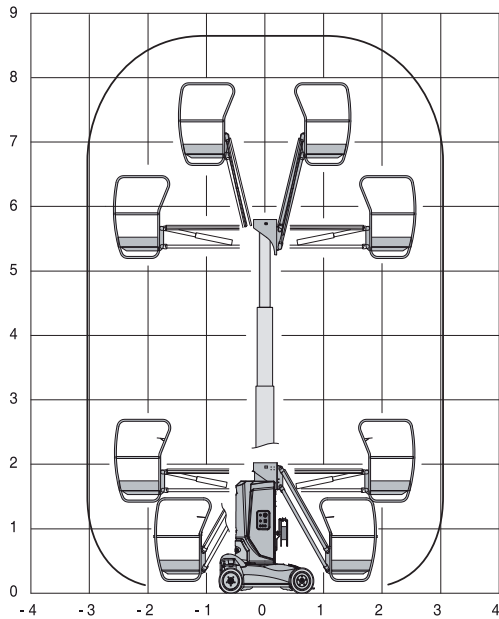
For more information on this equipment or if you require a free onsite inspection, contact our team

136 132

Specifications

Working height	12.30 m
Platform height	10.50 m
Platform length	0.76 m
Platform width	1.42 m
Safe working load	226 kg
Horizontal reach	6.80 m
Wheelbase	1.90 m
Turntable rotation	355 °
Turntable tailswing	zero
Drive speeds (stowed high)	5.50 km/h
Drive speeds (stowed low)	4.50 km/h
Drive speeds (raised)	0.97 km/h
Gradeability (35:1 torque hubs)	20 %
Gradeability (49:1 torque hubs)	25 %
Turning radius (inside)	1.80 m
Turning radius (outside)	3.90 m
Stowed height	2.30 m
Stowed length	4.20 m
Width	1.40 m
Overall weight (approx)	5216 kg
Platform rotation	160 °

Range Chart



30' NARROW KNUCKLE BOOM ELEC WITH FLY BOOM

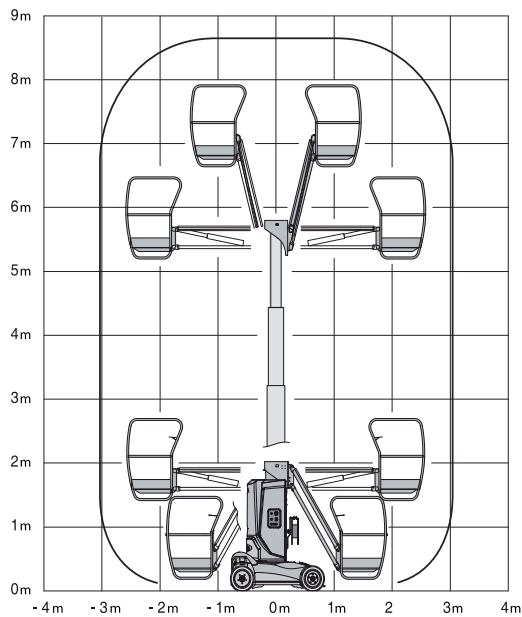
For more information on this equipment or if you require a free onsite inspection, contact our team

136 132

Specifications

Working height	11 m
Platform height	9.14 m
Platform length	0.76 m
Platform width	1.22 m
Safe working load	230 kg
Horizontal reach	6.25 m
Wheelbase	1.65 m
Turntable rotation	360 °
Turntable tailswing	zero
Drive speed	4.80 km/h
Gradeability	25 %
Turning radius (inside)	1.50 m
Turning radius (outside)	3.10 m
Stowed height	2 m
Stowed length	5.90 m
Width	1.22 m
Overall weight (approx)	7052 kg
Platform rotation	180 °

Range Chart



30' KB HAULOTTE KNUCKLE BOOM LIFT

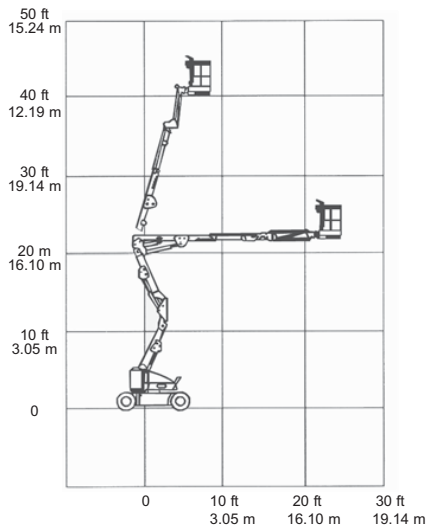
For more information on this equipment or if you require a free onsite inspection, contact our team

136 132

Specifications

Working height	8.80 m
Platform height	7 m
Platform size	0.67 x 0.92 m
Platform width	1 m
Safe working load	200 kg
Horizontal reach	3.10 m
Wheelbase	1.20 m
Turntable rotation	345 °
Turntable tailswing	zero
Gradeability	23 %
Turning radius (outside)	1.88 m
Overall weight (approx)	2760 kg

Range Chart



20' KNUCKLE BOOM ELEC WITH FLY BOOM

For more information on this equipment or if you require a free onsite inspection, contact our team

136 132

Specifications

Working height	7.90 m
Platform height	6.10 m
Platform length	1.02 m
Platform width	0.79 m
Safe working load	181 kg
Horizontal reach	2.60 m
Wheelbase	1.60 m
Jib rotation	180 °
Turntable tailswing	zero
Drive speeds (stowed high)	4.20 km/h
Drive speeds (stowed low)	2.10 km/h
Drive speeds (raised)	0.97 km/h
Gradeability	18 %
Turning radius (inside)	2.54 m
Turning radius (outside)	1.40 m
Stowed height	2 m
Stowed length	3.80 m
Width	0.81 m
Overall weight (approx)	4876 kg



136 132 BOOM SHERRIN
www.boomsherrin.com.au