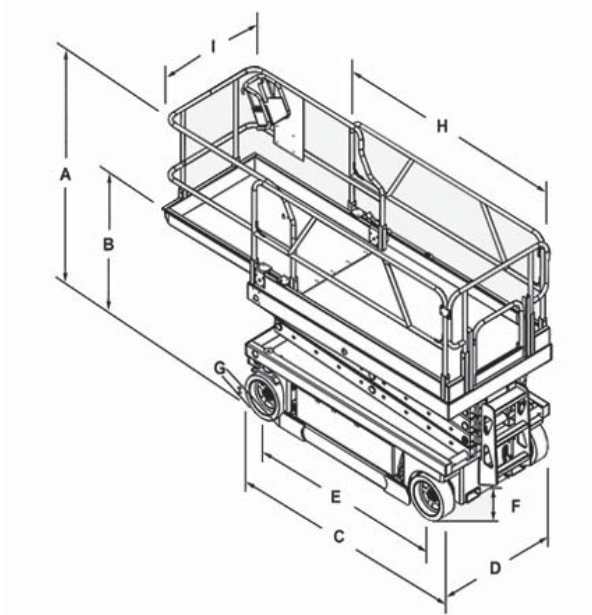


Range Chart



26' SCISSOR LIFT ELEC

For more information on this equipment or if you require a free onsite inspection, contact our team

136 132

Specifications

Working height	9.80 m
Platform height	7.90 m
(A) Height stowed	2.40 m
(B) Height stowed (platform)	1.20 m
(C) Unit length - stowed	2.70 m
(D) Unit width	1.17 m
(E) Wheelbase	1.90 m
(F) Ground clearance	0.20 m
(G) Platform width	1.50 m
(H) Platform length	2.50 m
Lift capacity	567 kg
Turning radius outside	3.70 m
Turning radius inside	1.50 m
Gradeability	40 %
Overall weight (approx)	2100 kg