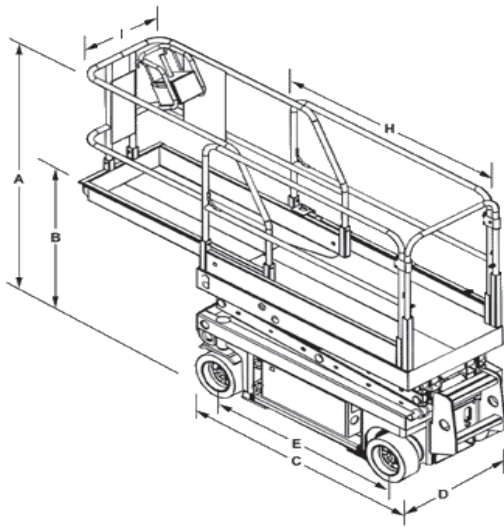


Range Chart



19' SCISSOR LIFT ELEC

For more information on this equipment or if you require a free onsite inspection, contact our team

136 132

Specifications

Working height	7.60 m
Platform height	5.80 m
(H) Length (extended)	1.58 m
(I) Width	0.65 m
Safe working load	227 kg
(E) Wheelbase	1.32 m
Drive speeds (stowed)	4.00 km/h
Drive speeds (raised)	1.00 km/h
Gradeability (stowed)	30 %
Turning radius (inside)	zero
Turning radius (outside)	1.55 m
(A) Stowed height (guardrails)	2.01 m
(B) Stowed height (platform)	0.98 m
(C) Stowed length	1.83 m
(D) Width	0.76 m
Overall weight (approx)	1454 kg
Indoor use only	