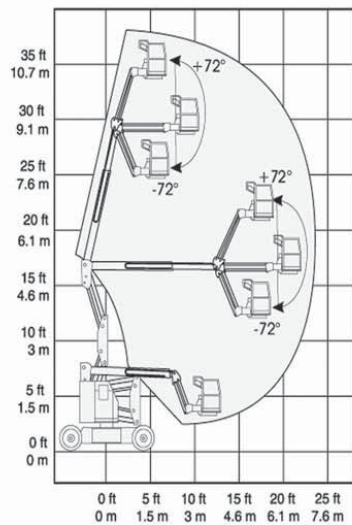


Range Chart



34' NARROW KNUCKLE BOOM ELEC WITH FLY BOOM

For more information on this equipment or if you require a free onsite inspection, contact our team

136 132

Specifications

Working height	12.30 m
Platform height	10.50 m
Platform length	0.76 m
Platform width	1.42 m
Safe working load	226 kg
Horizontal reach	6.80 m
Wheelbase	1.90 m
Turntable rotation	355 °
Turntable tailswing	zero
Drive speeds (stowed high)	5.50 km/h
Drive speeds (stowed low)	4.50 km/h
Drive speeds (raised)	0.97 km/h
Gradeability (35:1 torque hubs)	20 %
Gradeability (49:1 torque hubs)	25 %
Turning radius (inside)	1.80 m
Turning radius (outside)	3.90 m
Stowed height	2.30 m
Stowed length	4.20 m
Width	1.40 m
Overall weight (approx)	5216 kg
Platform rotation	160 °