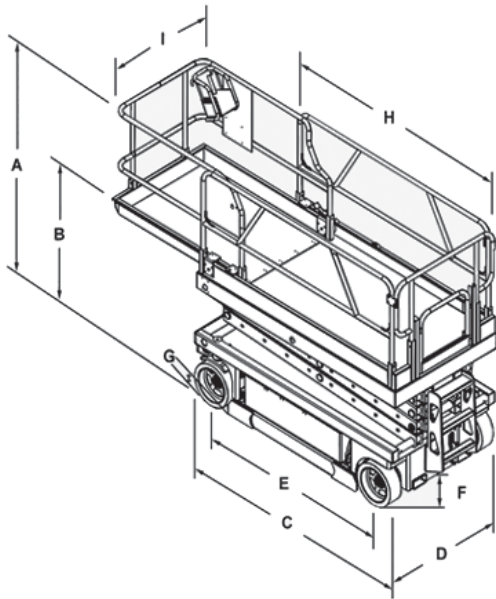


Range Chart



32' JLG SCISSOR LIFT ELEC

For more information on this equipment or if you require a free onsite inspection, contact our team

136 132

Specifications

Working height	11.68 m
Platform height	9.68 m
(A) Height stowed	2.36 m
(B) Height stowed (platform)	1.26 m
(C) Unit length - stowed	2.50 m
(D) Unit width	1.17 m
(E) Wheelbase	2.09 m
(F) Ground clearance	0.13 m
(G) Platform width	1.12 m
(H) Platform length	2.50 m
Lift capacity	318 kg
Turning radius outside	2.41 m
Turning radius Inside	0.00 m
Gradeability	25%
Overall weight (approx)	2243 kg